



**RESEARCH ARTICLE**

# **An Efficient Monitoring Control and Silent Installation of Application Using Smart Phone**

<sup>1</sup>Ms. Swapanali Rokade, <sup>2</sup>Ms. Poonam Kamble, <sup>3</sup>Ms. Shital Wagh, <sup>#</sup>Mr. Nitin Shivle

<sup>1</sup> Department of Computer Sciences, BSIOTR ( wagholi ), Savitribai Phule Pune University, India

<sup>2</sup> Department of Computer Sciences, BSIOTR ( wagholi ), Savitribai Phule Pune University, India

<sup>3</sup> Department of Computer Sciences, BSIOTR ( wagholi ), Savitribai Phule Pune University, India

<sup>4</sup> Department of Computer Sciences, BSIOTR ( wagholi ), Savitribai Phule Pune University, India

<sup>1</sup>swapanalirokade13@gmail.com, <sup>2</sup>kamblepoonam261@gmail.com, <sup>3</sup>Shitalwagh66@gmail.com, <sup>4</sup>nitinrajni3@gmail.com

*Abstract— Now a days, computers are grouped together to form a network. To manage and control the activities of the network while in office is an easy task. However, while you are outstation away from office, how do you go about with monitoring and controlling of network? Instead of depending on third party information, you can always have your Cell Phone, email accounts serve the purpose. The interaction between the clients and the remote administrator is achieved via a central monitoring server. The main objective of this paper is to provide maximum details about the network to the administrator on their smart phones, when administrator is away from office or goes out station. In this paper we have proposed Silent Unattended Installation Package Manager (SUIPM) that automates the process of silent unattended installation of software. An Installation that is performed without user interaction and does not display any message or GUI during its progress is known as Silent and Unattended Installation. Silent Unattended Installation Package Manager (SUIPM) not only introduces new methodology but generalize the process of silent and unattended installation of the software. The process is fully autonomous and does not require any user interaction for installation of the software.*

*Keywords- Smart Phone, Monitoring, SUIPM, WLAN, Wireless Media*

## **I. INTRODUCTION**

The primary goal of the project is to remotely handle the request of the clients and to install the software's on their machine remotely. Remote Software Installation and LAN Controlled uses some of the existing services that may already be deployed and in use within an organization, as well as adds some additional services that one may or may not be familiar with [1]. Silent software installation can be used to deploy Operating system and requested software's by the clients on their PC from the server without even interrupting the client after processing their request. An administrator can roll out a new version of the operating system to hundreds, even thousands of clients at one time, and do so from a remote location. Remote LAN Controlled can be used to handle Remote processes and remote operation of clients. Administrator sends the requested software's by the clients on their machine by forcing the installation to take place during image copy without requiring the client to click on the next and finish buttons or selecting the necessary check boxes in the dialogues. It basically outlines the steps necessary to install and configure any software [4].

An Installation that is performed without user interaction and does not display any message or GUI during its progress is known as Silent and Unattended Installation [8]. Silent and unattended installation plays a key role when installing software over network because the installation will be performed without user interaction or intervention and it usually skips the non important steps which are usually part of installer wizards. A silent and unattended installer can start multiple installations at the same time regardless of the fact they are being performed on the same PC.

## II. EXISTING SYSTEM

In Existing system, installation of software is done by manually in computers. Manually installation of software is Agent based System. In the following figure1, there are many clients connected to each other with the help of LAN through the administrator. The administrator can control and monitor the connected clients with the help of LAN network. If anyone needs to install the software or any program on client Pc then one need the CD then go for coping a particular software or program on Pc. After coping particular software one needs to perform all steps for installing that software such as Next and Finish buttons. This all process will done by manually. Manually software installation is time consuming process.

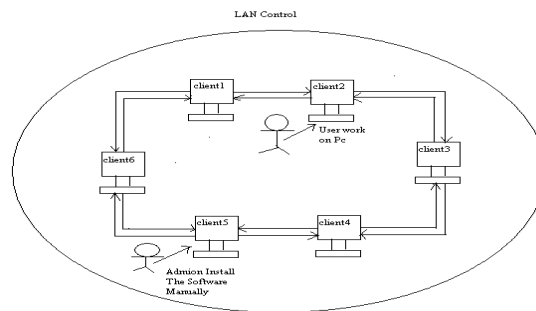


Fig1: software installation done by manually through admin.

## III. PROPOSED SYSTEM

The proposed system offers valuable wireless connection. There is no need of GSM modem in our application so it is cost effective. In our project, we have proposed Silent Unattended Installation Package Manager (SUIPM) that automates the process of silent unattended installations.

### A. LAN controlling using smart phone.

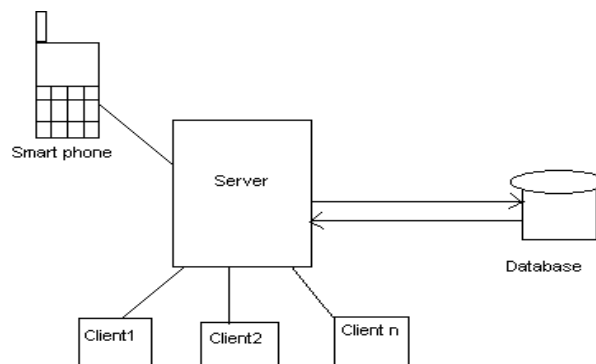


Fig2: LAN controlling using smart phone.

In above figure2, Administrator sends his request through his mobile phone to the server. Server then recognizes the client machine which administrator wants to monitor and control.

Administrator is provided with a GUI based application in Android phone to send command instantly. Server sends command to the client like start process, shut down process, kill process, create, delete file, Process List. Through the Android service provider the communication is done with the mobile phone which communicates with server and server communicates with the clients. All clients are controlled and monitored by administrator. The administrator controls the LAN through his mobile phone even he is at the remote place. The administrator also checks the load on the LAN. If server fails in this model then Client can communicate to admin through mobile phones.

#### B. *Installation Monitor Module:*

Installation Monitor monitors the activity of installer during installation of certain application and generates a log file, which contains the information of system changes made by installer during installation. Initially for monitoring purpose Installation Monitor Module – IMM is using Microsoft System internals Process Monitor for monitoring. Process Monitor is an advanced monitoring tool for Windows Operating System, which shows real time file system, Registry and process/thread activity.

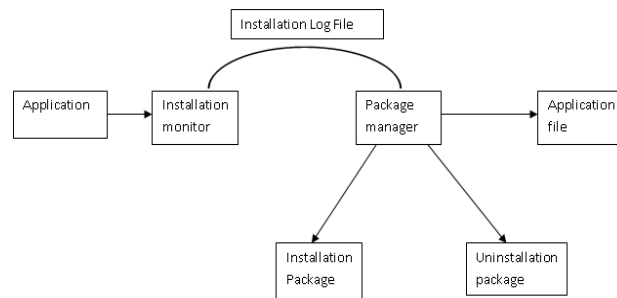


Fig3: Silent software installation.

Process Monitor and Package Manager –PM are integrated together and Process Monitor acts as a foundation to Package Manager. The key role of Process Monitor is to monitor the activities during the installation and generate a log file in XML format. Package Manager needs two type of information from Process.

- 1) Registry Monitoring –Changes made in registry by the installer during the installation process.
- 2) File Monitoring –Changes made in File System by the installer during the installation process. The installation and logging of the installation events is a complex process and once it is complete, the Process Monitor generates a XML log file, which contains all the activities (registry, file) regarding the installation process.

#### IV. OBSERVATIONS

This system provides an Efficient Monitoring Control and Silent Installation of Application using smart phones. Administrator can control clients remotely and install the software on client's machine silently. In this system user or client's interaction is not required. This system does not interrupt to the user.

## V. RESULT

Sr. No	Attribute	Existing System	Proposed System
1.	LAN Control	Not Handle Remotely	Handle Remotely
2.	Installation of Software	Manually	Remotely
3.	Need of Network	Not Required	Required
4.	Smart Phone(Android)	No need of Smart Phone	Need of Smart Phone
5.	Time Required for Software Installation	More	Less
6.	User Interaction	Required	Not Required
8.	Silent Unattended Installation Package Manager(SUIPM)	Not Required	Required
9.	Cost	Less	More
10.	Software Installing Steps	Required	Not Required

## CONCLUSIONS

Thus, we concluding from the previously developed software, we can say that, this application did not provide the user to remotely monitor his computer. Keeping this in mind, we decided to develop Monitoring PCs using Smart Phones. All the computers which he need to keep an eye on. In this paper we have proposed Silent Unattended Installation Package Manager (SUIPM) that automates the process of silent unattended installation .The purpose is to generalize the process of silent unattended installations and create a repository of software packages, which when needed can be deployed according to need on the network without user interaction. SUIPM packages will be deployed on the network using Agent Based Activity Monitoring System - ABAMS and the process is fully autonomous and does not require any user interaction.

## REFERENCES

- [1] *Mobile Based LAN Monitoring and Control*, International Conference on Computer Science & Engineering (ICCSE), 17th March-2013, Pune, ISBN: 978-93-82208-74-7.
- [2] *A Survey on Network Monitoring and Administration Using Email and Android Phone* , International Journal of Emerging Technology and Advanced Engineering Website: [www.ijetae.com](http://www.ijetae.com)
- [3] *GSM Based LAN Monitoring System*, Amol Poman et al, / (IJCSIT) International Journal of ComputerScience and Information Technologies, Vol. 3 (3) , 2012,3848-3851.
- [4] *GSM-Bluetooth based Remote Monitoring and Control System with Automatic Light Controller* International Journal of Computer Applications (0975 –8887) Volume 46–No.1, May 2012 .

- [5] *Concept of Remote controlling PC with Smartphone Inputs from remote place with internet* ,Volume 2, Issue 1, January 2012 ISSN: 2277 128X , International Journal of Advanced Research in Computer Science and Software Engineering.
- [6] *Unattended Installation Procedure for Specific Softwares*,  
“<http://www.robvanderwoude.com/unattendedapps.html>”.
- [7] *Silent and Unattended Installer*,<http://unattended.sourceforge.net/installers.php>.
- [8] What is an Installer,  
<http://radio.weblogs.com/0100059/stories/2002/02/14/whatIsAnInstaller.html>
- [9] Installation (Computer Program),  
[http://en.wikipedia.org/wiki/Software\\_installation](http://en.wikipedia.org/wiki/Software_installation).
- [10] Silent Software Installation using Swiches,  
<http://jeroeneke.laptopvideo2go.com/XP/>”
- [11] UnInstaller, <http://en.wikipedia.org/wiki/Uninstaller>.
- [12] *An Efficient Monitoring Control and Silent Installation of Application using Smart Phone.*